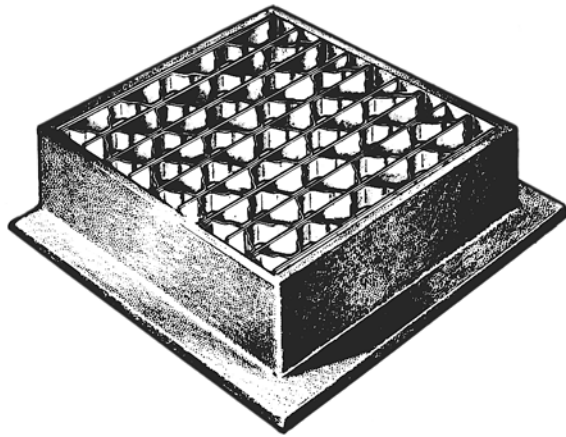


Manhole Castings L-17

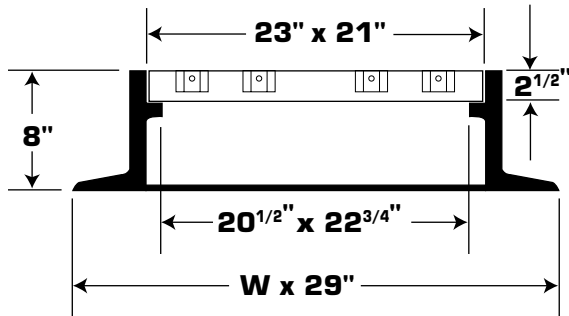
New Hampshire Standard Catch Basin



New Hampshire Type B Standard Catch Basin Frame with Galvanized Steel or Cast Iron Grate

Specifications:

- Bicycle and foot traffic safe
- Galvanized steel grate standard
- H-20 load rated
- Gray cast iron meets ASTM A48 Class 30
- Weights: Frame with Steel Grate
 3 Flange240 lbs.
 4 Flange257 lbs.



DESCRIPTION	PRODUCT NUMBER
QWP	
23" x 8" NH B Frame 3 Flg. LK420-3	62186
23" x 8" NH B Frame 4 Flg. LK420-4	62188
23" x 21" NH B Galvanized Grate	—
23" x 21" NH B CI Grate L2123G	62187
LEBARON	
23" x 8" NH B Frame 3 Flg. LK420-3	65284
23" x 8" NH B Frame 4 Flg. LK420-4	65286
23" x 21" NH B Galvanized Grate	65303
23" x 21" NH B CI Grate L2123G	65299

CASTING	DIMENSION W
LK420-3	28 1/2"
LK420-4	31 1/4"