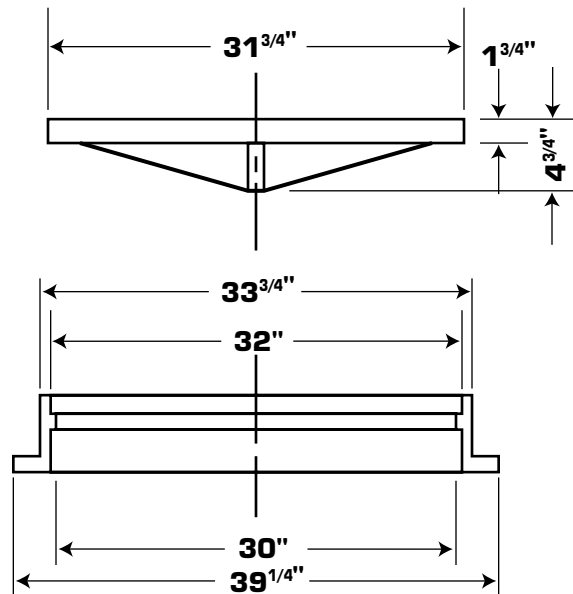
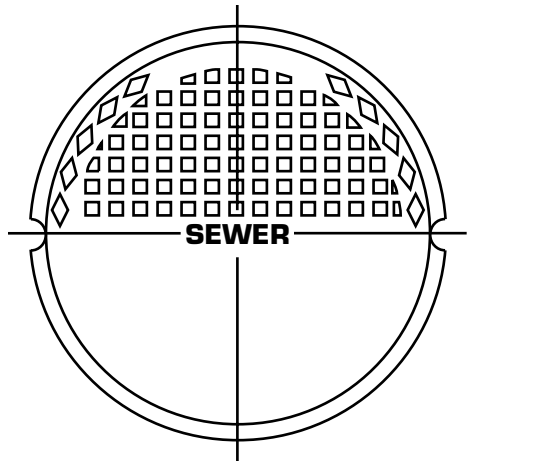


Manhole Castings L-6

New Hampshire Standard



32" Manhole Frame & Cover

New Hampshire maintains a clear opening designation of 30" for its manhole casting. The style shown on this page is used throughout the state.

Features:

- 3" lettering
- Covers available plain or marked SEWER, DRAIN or WATER
- Nonrocking cover
- Diamond surface design
- Round grate available

Specifications:

- Fully machined frame and cover
- H-20 load rated
- Gray cast iron meets ASTM A48 Class 30
- QWP casting is water base asphalt paint coated
- Weight:
 - Frame235 lbs.
 - Cover220 lbs.
 - Total455 lbs.

DESCRIPTION	PRODUCT NUMBER
QWP #32	
32" x 6" Manhole Frame	62140 600
32" Manhole Cover - Sewer	62150 600
32" Manhole Cover - Plain	62156 600
32" Manhole Cover - Drain	62160 600
32" Manhole Cover - Water	62170 600
32" Manhole Grate - Round	62171 600
LEBARON LA326-4	
32" x 6" Manhole Frame	65067 10
32" Manhole Cover - Sewer	65068 1
32" Manhole Cover - Plain	65068 2
32" Manhole Cover - Drain	65069 1
32" Manhole Cover - Water	65069 2
32" Manhole Grate - Round	65070