

Manhole Castings L-12

MA, ME, NH & VT Heavy Catch Basin

Bar Type Catch Basin

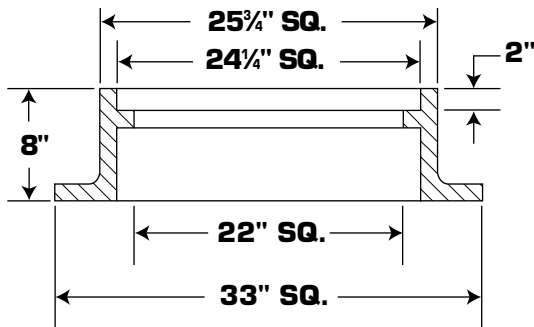
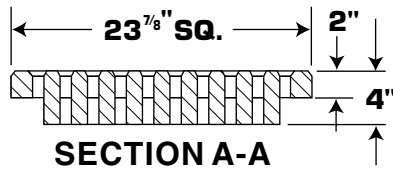
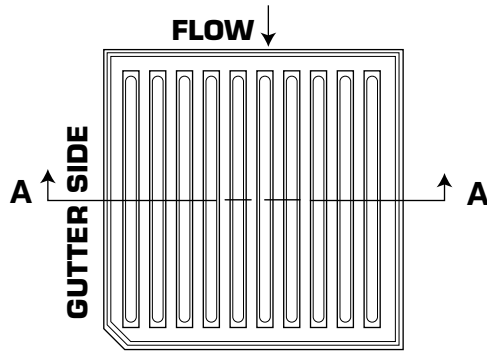
The QWP 45-600 Bar Type Catch Basin offers the same weight and the same high-grade material as the "State DOT Standard" casting but is an economical alternative.

Features:

- Economical alternative to DOT standard
- High strength casting
- Nonrocking grate

Specifications:

- Quality cast frame and grate
- Bituminous coated
- Nonrocking grate
- Bar grate pattern
- Gray cast iron meets ASTM A48 Class 30
- H-20 load rated
- 8" frame available with 3 or 4 flanges



DESCRIPTION	WT. (lbs.)	PRODUCT NUMBER
		QWP 45-600
24" x 8" CB Frame 3 Flg. #45	205	62064 600
24" x 8" CB Frame 4 Flg. #45	230	62063 600
24" CB Bar Grate CI #45	210	62103 600