

Manhole Castings L-22

Midwest Castings Indiana, Ohio

Catch Basin Frame & Grates

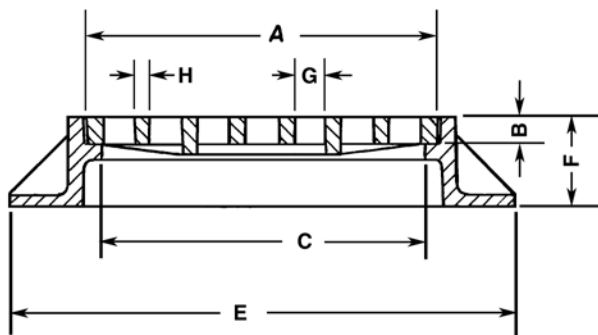
R-3405 Gutter Inlet Frames & Grates

Specifications:

- Heavy duty
- Total weight: 345 lbs.



R-3405 Gutter Inlet Frames & Grates



CAT. NO.	DIMENSIONS (inches)								WT. lbs.
	A	B	C	D	E	F	G	H	
R-3404	2 5/8 x 2 5/8	1 1/2	20 1/8 x 20 1/8	2 5/8 x 2 5/8	2 5/8 x 2 5/8	5 1/8	2 x 2	1 5/16	275
R-3405	2 5/8 x 2 5/8	1 1/2	22 x 22	2 5/8 x 2 5/8	2 5/8 x 2 5/8	6	2 1/8 x 2 1/8	1	345
R-3405-A	2 5/8 x 2 5/8	2	22 x 22	2 5/8 x 2 5/8	2 5/8 x 2 5/8	6 1/8	2 1/4 x 2 1/4	1 1/16	460
R-3405-B	2 5/8 x 2 5/8	2	22 x 22	2 5/8 x 2 5/8	2 5/8 x 2 5/8	6 1/8	2 1/4 x 2 1/4	1 1/16	440

R-3501-TR Inlet For Roll Type Curb

Specifications:

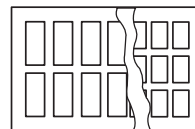
- Heavy duty
- Dump No Waste
- Drains to Fresh Water
- Total weight: 385 lbs.



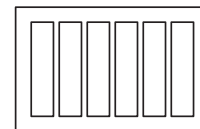
R-3501-TR Inlet For Roll Type Curb

Illustrating R-3501-TR (flow right). If flow left is required, order R-3501-TL.

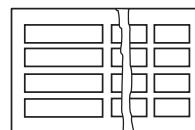
Square Drainage Grates



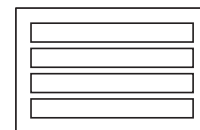
Type A



Type B



Type C



Type D

DESCRIPTION	PRODUCT NUMBER
23" x 7" Gutter Inlet F&G R-3405	62059 2

DESCRIPTION	PRODUCT NUMBER
24" x 24" CB Grate R-4871	66063
24" x 24" CB Grate R-4859-C	66063 1