

# Hydrants D-18

# Clow Medallion



## Fire Protection

The Clow Medallion hydrant is designed and built to provide unsurpassed fire protection. Utilizing computer developed data, Clow engineers painstakingly sculpted interior surfaces to provide the smoothest possible waterway, resulting in the lowest possible loss of head through the hydrant. The result? More water to the nozzles faster. With the Clow Medallion, it's performance that counts.

## Maintenance

While providing fire protection is a hydrant's primary function, ease of maintenance and repair are valid concerns of maintenance crews. Extraordinary steps were taken to insure that the Clow Medallion can be routinely serviced and repaired easily. All working parts are readily accessible from the top of the hydrant.

## 5-Year Limited Warranty

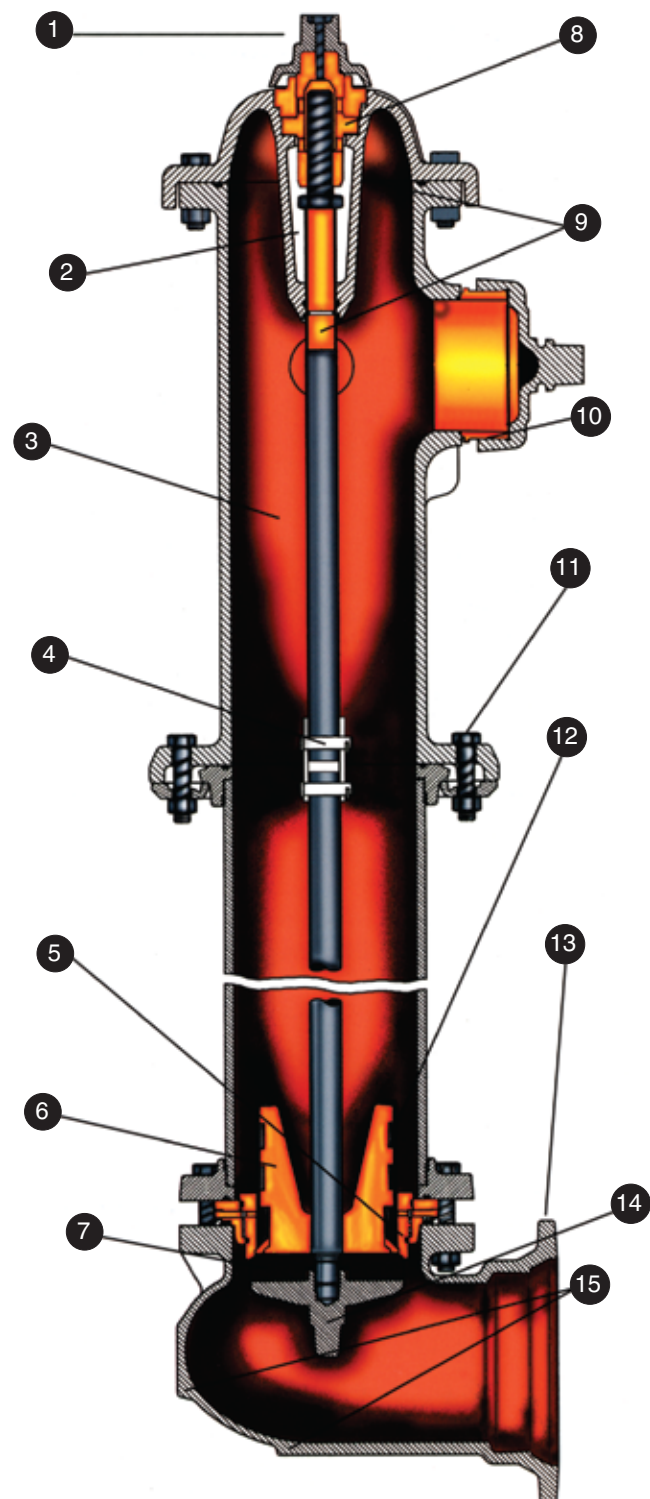
The Medallion equals or exceeds the requirements of the American Water Works Association (AWWA). Also it has been listed by the Underwriters' Laboratory (UL) and is approved by Factory Mutual (FM). Structurally and operationally this is clearly a superior Fire Hydrant. It's easy to see why it carries a full 5-year limited warranty on materials and workmanship.

## Specifications:

- Fire Hydrant shall be manufactured in accordance with AWWA C-502, be listed by Underwriters' Laboratories, Inc. and have Factory Mutual Research approval.
- Fire Hydrant shall be designed for 250 psi working pressure and tested to 500 psi hydrostatic pressure.
- Fire Hydrant shall be dry-top center stem construction having an "O"-Ring sealed lubrication reservoir.
- Fire Hydrant shall be backed by manufacturer's 5-year limited warranty.
- Fire Hydrant shall be manufactured with operating nut and thrust nut made of bronze, with bearings located both above and below the thrust collar and with operating nut protected by a cast iron weather shield.
- Fire Hydrant shall be manufactured with nozzles mechanically locked into the barrel and having "O"-Ring pressure seals.
- Fire Hydrant shall be a "Traffic Model", complete with safety flanges and steel stem coupling. Nozzle section must rotate 360 degrees.
- Fire Hydrant shall be manufactured with a main valve seat ring of bronze threaded into a bronze drain ring. A 360 degree drain channel shall have a minimum of two drain outlets.
- Fire Hydrant shall have a bronze upper valve plate and two urethane rubber facings that activate the drain ports.
- Fire Hydrant shall be manufactured with a lower valve plate that bottoms out in the shoe for maximum opening.
- Fire Hydrant shall be manufactured with a minimum main valve opening of 4½" or 5¼".
- Fire Hydrant shall be the Clow Medallion as manufactured by the Clow Valve Company or approved equal.

## Clow Medallion Features

- 1. Moisture Protection:** Durable cast iron weather cap combines with one piece bronze operating nut and "O"-rings to ensure reliable corrosion-free operation under all weather conditions.
- 2. Lubrication Reservoir:** "O"-ring seals keep the oil in and water out. Reservoir may be filled easily without disassembly.
- 3. Computer Designed Contours:** All interior components were individually designed to provide the lowest possible head-loss, which means more water, faster.
- 4. Safety Stem Coupling System:** Breakaway parts shear cleanly below the top of the barrel, preventing nozzle section damage or opening of the main valve.
- 5. Bronze to Bronze:** Bronze seat ring threads into bronze drain ring for corrosion-free protection.
- 6. Bronze Upper Valve Plate:** Computer contoured shape means less turbulence—smoother flow.
- 7. Compression Seating:** High durometer rubber valve closes with the water pressure for a positive seal.
- 8. Anti-Friction:** Thrust bearings above and below the bronze thrust collar provide low-torque operation even at 250 psi working pressure.
- 9. Bonnet Seals:** Standard "O"-rings secure mating flanges and sealing throughout the Medallion. All "O"-rings are dependable and easy to replace.
- 10. Bronze Nozzles:** Corrosion-resistant, field-replaceable bronze nozzles have "O"-ring seals for watertight connections.
- 11. Nuts & Bolts:** Are stainless steel for long life.
- 12. Drain Valve:** Rubber valve facing provides tight, long life seal. Bronze seat ring has 360° drain channel. Double ports flush with each use.
- 13. Ductile Iron Hydrant Shoe:** Epoxy coated inside and out and shaped for low turbulence and maximum flow, the shoe is offered in a variety of end connections.
- 14. Lower Valve Plate:** Bottoms out in the bottom of the strengthened shoe. Prevents valve from falling below seat ring.
- 15. Pads:** Pads on hydrant shoe give large surface areas for standing and blocking hydrant.



# Hydrants D-20

# CLOW Medallion

## Ordering Information:

- Quantity of hydrants, accessories and maintenance kits required
- Size of main valve opening: 4½" or 5¼"
- Size and number of hose nozzles
- Size and number of steamer nozzles
- Hose and pumper nozzle thread specifications
- Type of inlet connection
- Depth of trench or bury
- Direction of opening
- Size and shape of operating nut, weather shield and cap nuts
- Color desired
- Town or municipality where hydrants will be installed, if possible

BURY	DIR. TO OPEN	PRODUCT NUMBER	
		HYDRANT W/DRAIN	HYDRANT L/DRAIN
4' 6"	OL	42795	42795 ND
5' 0"	OL	42800	42800 ND
5' 6"	OL	42805	42805 ND
6' 0"	OL	42810	42810 ND
6' 6"	OL	42815	42815 ND
7' 0"	OL	42820	42820 ND
4' 6"	OR	42825	42825 ND
5' 0"	OR	42830	42830 ND
5' 6"	OR	42835	42835 ND
6' 0"	OR	42840	42840 ND
6' 6"	OR	42845	42845 ND
7' 0"	OR	42850	42850 ND

## Medallion Kits



DESCRIPTION	PRODUCT NUMBER
5¼" Medallion Main Valve Repair Kit	42911
5¼" Medallion Safety Repair Kit	42912

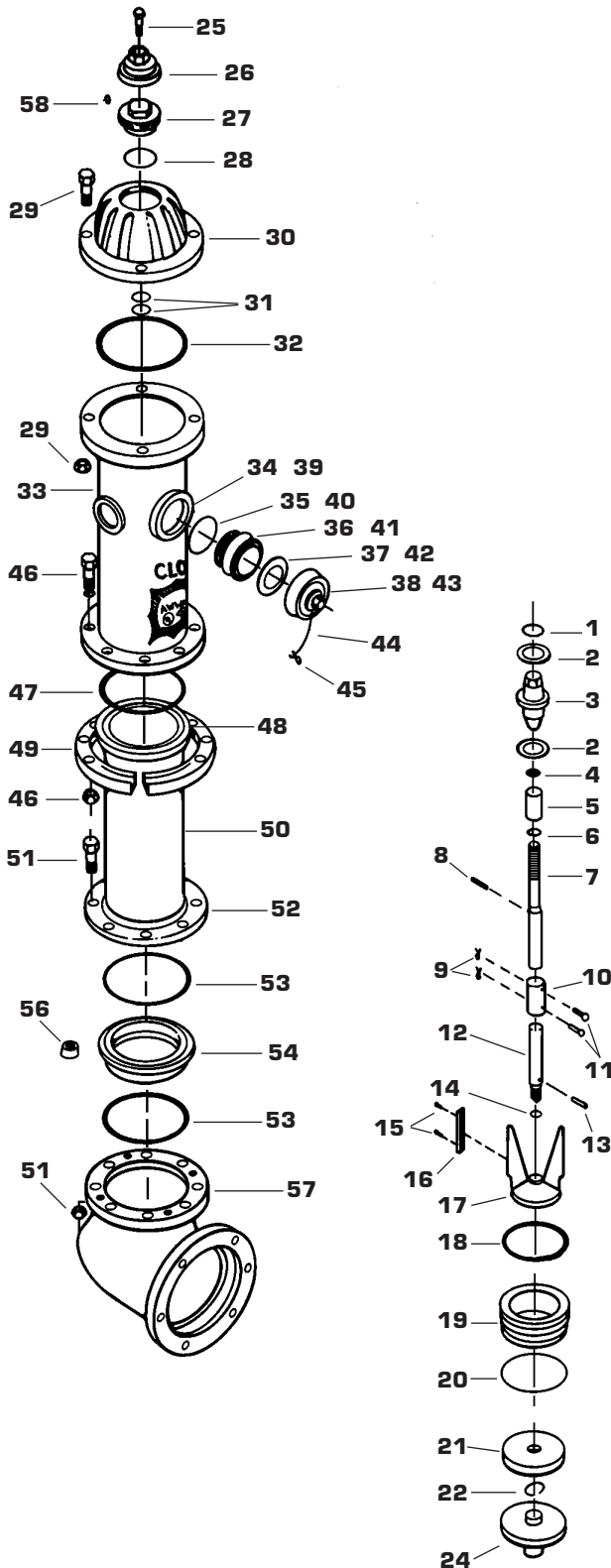
## Medallion Top Extensions



DESCRIPTION	PRODUCT NUMBER
5¼" x 6" Medallion Hyd. Extension	42913
5¼" x 12" Medallion Hyd. Extension	42914
5¼" x 18" Medallion Hyd. Extension	42915
5¼" x 24" Medallion Hyd. Extension	42916

# Hydrants D-21

# Clow Medallion



## Clow Medallion Parts

REF. NO.	QTY	DESCRIPTION	MATERIAL	PRODUCT NUMBER
1	1	Operating Nut O-Ring	NBR	42917 01
2	2	Operating Nut Thrust Bearing	Delrin	42917 02
3	1	Operating Nut O.R.	Bronze	42917 03
3	1	Operating Nut O.L.	Bronze	42917 04
4	1	Upper Stem Jam Nut	SS	42917 05
5	1	Upper Stem Sleeve	Bronze	42917 06
6	1	Upper Stem Sleeve O-Ring	NBR	42917 07
7	1	Upper Stem O.R.	CRS	42917 08
7	1	Upper Stem O.L.	CRS	42917 09
8	1	Upper Stem Pin	SS	42917 10
9	2	Safety Coupling Cotter Pins	SS	42917 11
10	1	Safety Stem Coupling	ST	42917 12
11	2	Safety Coupling Pins	SS	42917 13
12	1	Lower Stem	CRS	42917 14
13	1	Lower Stem Pin	SS	42917 15
14	1	Upper Valve Plate O-Ring	NBR	42917 16
15	4	Drain Valve Facing Screw	SS	42917 17
16	2	Drain Valve Facing	UR	42917 18
17	1	Upper Valve Plate	Bronze	42917 19
18	1	Seat Ring Upper O-Ring	NBR	42917 20
19	1	Seat Ring	Bronze	42917 21
20	1	Seat Ring Lower O-Ring	NBR	42917 22
21	1	Main Valve Rubber	UR	42917 23
22	1	Lower Valve Plate Lockwasher	SS	42917 24
24	1	Lower Valve Plate	Bronze	42917 25
25	1	Weather Cap Hold Down Screw	ZPS	42917 26
26	1	Weather Cap	CI	42917 27
27	1	Thrust Nut	Bronze	42917 28
28	1	Thrust Nut O-Ring	NBR	42917 29
29	4	Bonnet Bolts & Nuts	ZPS	42917 30
30	1	Bonnet	CI	42917 31
31	2	Stem O-Rings	NBR	42917 32
32	1	Bonnet O-Ring	NBR	42917 33
33	1	Nozzle Section	CI	42917 34
34	1	Pumper Nozzle Lock	SS	42917 35
35	1	Pumper Nozzle O-Ring	NBR	42917 36
36	1	Pumper Nozzle	Bronze	42917 37
37	1	Pumper Nozzle Gasket	Rubber	42917 38
38	1	Pumper Nozzle Cap	CI	42917 39
39	2	Hose Nozzle Lock	SS	42917 40
40	2	Hose Nozzle O-Ring	NBR	42917 41
41	2	Hose Nozzle	Bronze	42917 42
42	2	Hose Nozzle Gasket	Rubber	42917 43
43	2	Hose Nozzle Cap	CI	42917 44
44	1	Chain	ZPS	42917 45
45	1	Trench Depth Tag & S-Hook	AZPS	42917 46
46	8	Safety Flange Bolts & Nuts	ZPS	42917 47
47	2	Safety Flange O-Ring	NBR	42917 48
48	1	Barrel Upper Flange	CI	42917 49
49	2	Safety Flange	CI	42917 50
50	1	Barrel	DI	42917 51
51	8	Shoe Bolts & Nuts	SS	42917 52
52	1	Barrel Lower Flange	CI	42917 53
53	2	Drain Ring O-Rings	NBR	42917 54
54	1	Drain Ring	Bronze	42917 55
56	4	Locking Spacer	Steel	42917 56
57	1	Shoe	CI	42917 57
58	1	Thrust Nut Set Screw	SS	42917 58

### MATERIAL LEGEND:

CI.....Cast Iron	DI .....Ductile Iron	NBR .....Nitrile Butadiene Rubber
SS .....Stainless Steel	Brz.....Bronze	CRS .....Corrosion Resistant Steel
Rbr.....Rubber	ST.....Steel Tubing	UR.....Urethane Rubber
Stl.....Steel	AZPS.....Aluminum & Zinc Plated Steel	
ZPS.....Zinc Plated Steel		