

Manhole Castings L-33

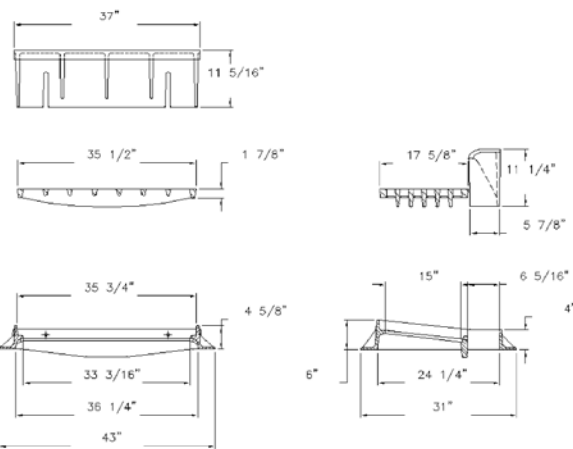
Midwest Castings Ohio

7030 Catch Basin Curb Inlets

Features:

- Heavy Duty
- Type M2 Grate and T1 Back
- 260 sq. in. of Opening
- Curb Back Height Adjusts from 3 1/4" to 9"
- "Dump No Waste" Lettering and Fish Image

TABLE OF ASSEMBLED WEIGHTS					
BACK TYPE	GRATE TYPE				
	M2 FLAT	M3 DIAG.	M4 VANE	M5 DIAG.	M6 VANE
T1	505 lbs.	465 lbs.	495 lbs.	495 lbs.	465 lbs.
T2	490 lbs.	450 lbs.	480 lbs.	480 lbs.	450 lbs.
T3	470 lbs.	430 lbs.	460 lbs.	460 lbs.	430 lbs.
T4	525 lbs.	485 lbs.	515 lbs.	515 lbs.	485 lbs.
T5	440 lbs.	400 lbs.	430 lbs.	430 lbs.	400 lbs.
T6	470 lbs.	430 lbs.	460 lbs.	460 lbs.	430 lbs.



Type M3 Diagonal Bar Grate
Approx. 315 sq. in. of opening, 2 1/8" Wide Opening Between Bars, Not Suitable for Bicycle Traffic



Type M4 Vane Grate
Approx. 260 sq. in. of Opening



Type M5 Diagonal Bar Grate
Approx. 225 sq. in. of Opening, 1 1/4" Wide Openings Between Bars, Not Suitable for Bicycle Traffic



Type M6 Vane Grate
Approx. 260 sq. in. of Opening



Type T2 Back
12" Curb Radius, Height Adjusts From 4" to 9"



Type T3 Back
12" Concave Curb Radius, No Curb Adjustment



Type T4 Back
3" Curb Radius Height Adjusts From 6" to 11", "Dump No Waste!" Lettering and Fish Image



Type T5 Back
No Curb Radius, Height Adjusts From 4 1/2" to 8"



Type T6 Back
Light Weight Back, 3" (76mm), Curb Radius, Height Adjusts From 6" to 10", "Dump No Waste!" Lettering and Fish Image