

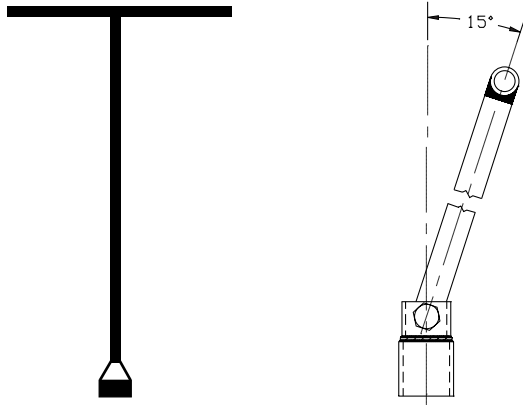
Tools & Equipment 0-13

800-EJP-24 HR

Valve Box Wrenches & Accessories

Standard Valve Wrench

The shaft is made of 1" Schedule 80 steel pipe, has a heavy arch and a 2" square socket end. The handle is 24" long. Optional swivel nut 2" square socket end is available.



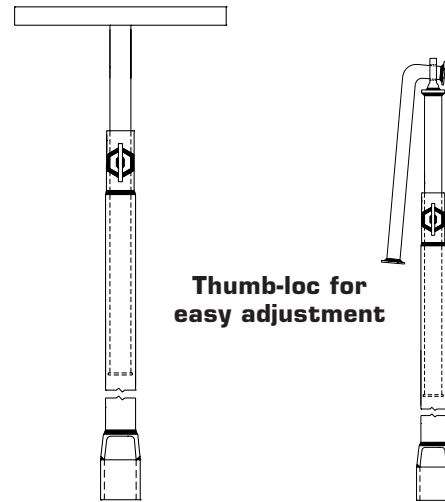
Standard Gate Wrench

Optional Swivel Nut

STANDARD GATE WRENCHES	LENGTH (in feet)	PRODUCT NUMBER
	3	63208
	4	63208 1
	5	63208 2
	6	63213
	7	63208 3
	8	63216
	9	63216 1
	10	63217
	11	63217 1
12	63208 5	

Telescopic Gate Valve Wrenches

These Telescopic Gate Wrenches are adjustable at the top and have a positive stop to prevent the bottom section from pulling free. A thumb-loc screw secures the sections in position after length adjustment is made. The straight handle wrench is available in two adjustment lengths; 4'-8' and 6'-10'. The folding handle model has an adjustment length of 52"-84". The bottom shaft is made of 1 1/4" heavy wall tubing and the telescopic section is made of 1" square tubing. Both the straight and the folding handles are 24" long and made of 7/8" (straight handle) and 1" (folding handle) solid round stock.



Thumb-loc for easy adjustment

Straight Handle Telescopic Gate Wrench **Folding Handle Telescopic Gate Wrench**

DESCRIPTION	PRODUCT NUMBER
4'-8' Telescopic Gate Wrench	63213 3
6'-10' Telescopic Gate Wrench	63213 4
Folding Telescopic Gate Wrench	63213 2

Valve & Service Box Wrench Ends

DESCRIPTION	PRODUCT NUMBER
Pent End Only-Heavy Wall	63207 1
2-Hole End Only	63210
Rod End Only	63204
Curb End Only	63207 3
Gate Wrench End Only	63218



Pent End



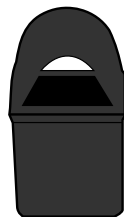
2-Hole End



Rod End



Curb End



Gate Wrench End