

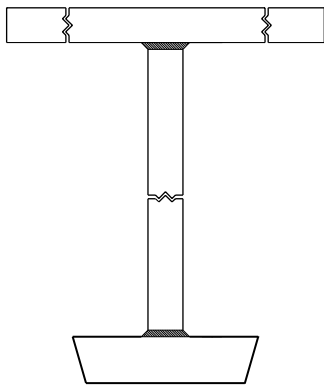
Tools & Equipment 0-5

800-EJP-24 HR

Service & Valve Box Tools

Valve Box Adjusting Tool, Screw Type

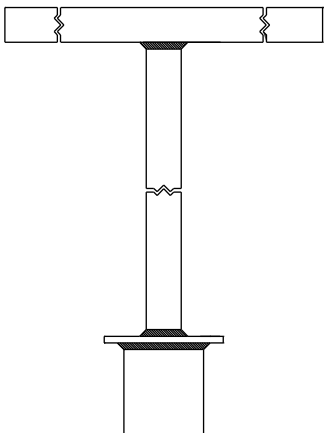
This wrench is 4' long and is used to adjust the length of screw type valve boxes.



DESCRIPTION	PRODUCT NUMBER
Valve Box Adjusting Tool, Screw Type	63211

2 1/2" Service Box Adjusting Tool, Screw Type

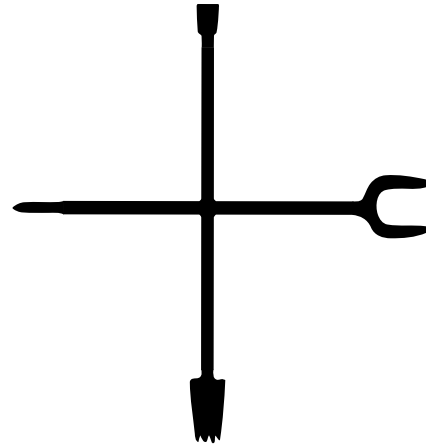
This wrench is 4' long and is used to adjust the length of 2 1/2" screw type service boxes.



DESCRIPTION	PRODUCT NUMBER
2 1/2" Service Box Adjusting Tool, Screw Type	63206

Cross Wrench

This handy all-purpose wrench is made like an automotive lug style wrench, for ease of use. It has a pentagon end and a two-hole end for each style cover. It has a pick end for prying and a debris cleaner for removing dirt or ice from around the pentagon nut.



DESCRIPTION	PRODUCT NUMBER
16" SB Cross Wrench	63188 7

Valve Box Top Lifter



DESCRIPTION	PRODUCT NUMBER
Valve Box Top Lifter	63214 15

