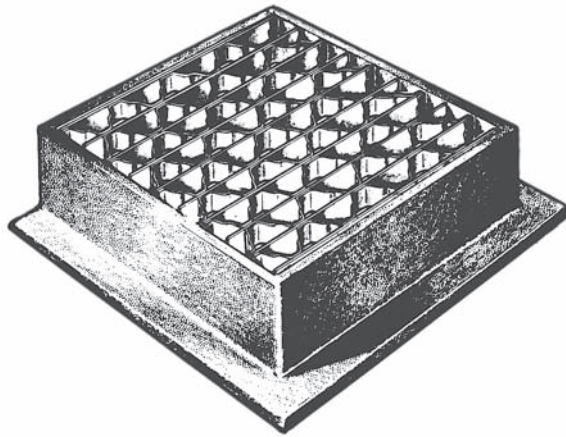


Manhole Castings L-19

800-EJP-24 HR

New Hampshire Standard Catch Basin

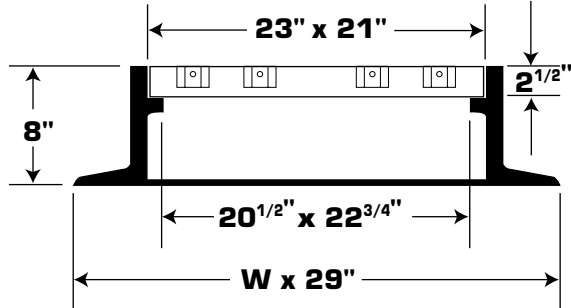


New Hampshire Type B Standard Catch Basin Frame with Galvanized Steel or Cast Iron Grate

SPECIFICATIONS:

- Bicycle and foot traffic safe
- Galvanized steel grate standard
- H-20 load rated
- Gray cast iron meets ASTM A48 Class 30

DESCRIPTION	PRODUCT NUMBER	
	LeBARON	QWP
23"x8" NH B Frame 3 Flg. LK420-3	65284	62186 600
23"x8" NH B Frame 4 Flg. LK420-4	65286	62188 600
23"x21" NH B Galvanized Grate	65303	—
23"x21" NH B CI Grate L2123G	65299	62187 600



Weights:
 Frame with Steel Grate
 3 Flange 240 lbs.
 4 Flange 257 lbs.

CASTING	DIMENSION W
LK420-3	28 1/2"
LK420-4	31 1/4"

