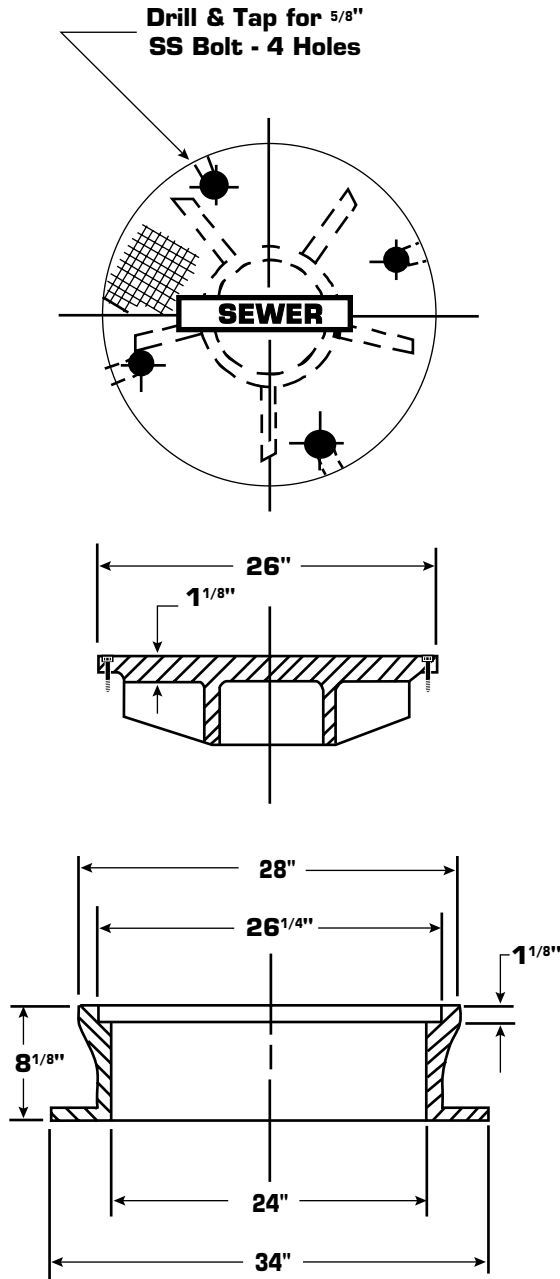


Manhole Castings L-11

Massachusetts Casting

800-EJP-24 HR



Watertight Manhole Frame & Cover

This is a watertight frame and cover to be used wherever there is a need for special precautions against water infiltration into a manhole.

FEATURES:

- 3" lettering
- Covers available plain or marked SEWER, DRAIN, WATER or ELECTRIC
- Nonrocking cover

SPECIFICATIONS:

- Watertight frame and cover
- Fully machined frame and cover
- A diamond pattern on the cover
- H-20 load rated
- Gray cast iron meets ASTM A48 Class 30
- Bolts are stainless steel. A 1/8" rubber gasket is used under the cover.
- Weight: 475 lbs.

DESCRIPTION	PRODUCT NUMBER
	LeBARON LBB268-3
26" x 8" MH F&C WT Sewer	65089 1

