

# Manhole Castings L-14

**800-EJP-24 HR**

# MA, ME, NH & VT Heavy Catch Basin

## Bar Type Catch Basin

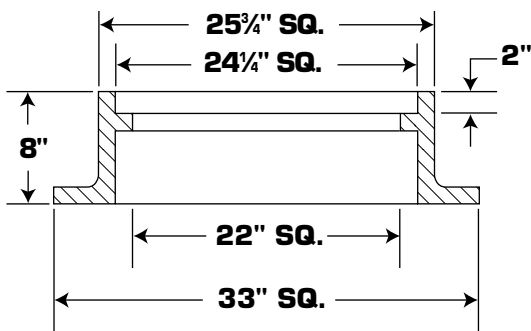
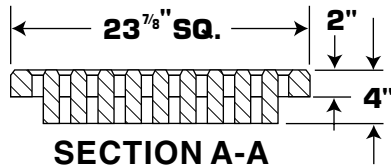
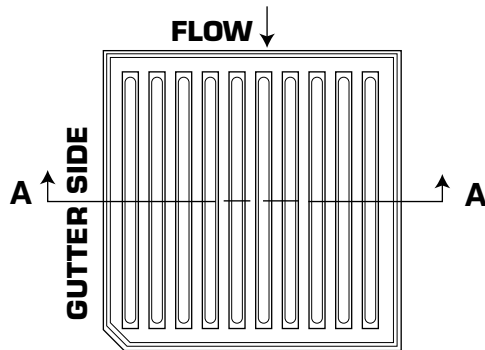
The QWP 45-600 Bar Type Catch Basin offers the same weight and the same high-grade material as the "State DOT Standard" casting but is an economical alternative.

### FEATURES:

- Economical alternative to DOT standard
- High strength casting
- Nonrocking grate

### SPECIFICATIONS:

- Quality cast frame and grate
- Bituminous coated
- Nonrocking grate
- Bar grate pattern
- Gray cast iron meets ASTM A48 Class 30
- H-20 load rated
- 8" frame available with 3 or 4 flanges



DESCRIPTION	WT.	PRODUCT NUMBER
		QWP 45-600
24"x 8" CB Frame 3 Flg. #45	265	62064 2 600
24"x 8" CB Frame 4 Flg. #45	295	62063 2 600
24" CB Bar Grate CI #45	210	62103 2 600