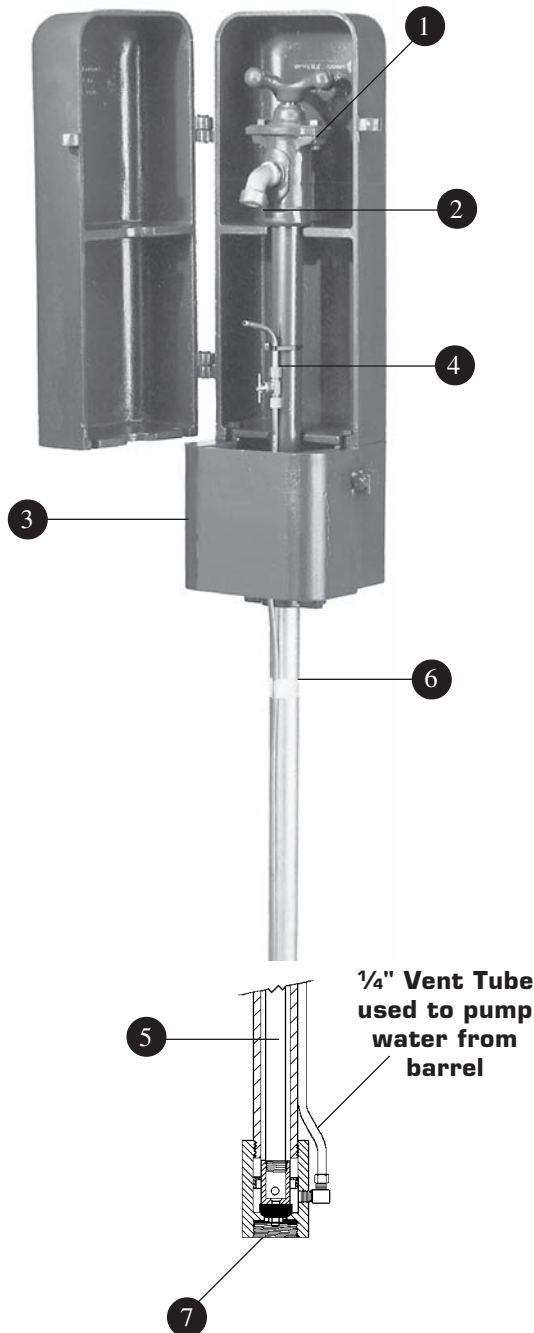


Hydrants D-24

800-EJP-24 HR

Sampling Station

Eclipse™ No. 88 Sampling Station



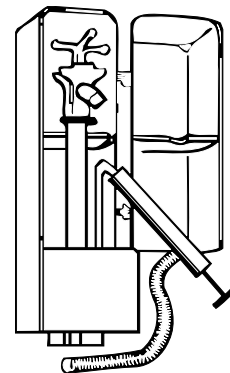
Features:

- 1 All interior parts can be replaced without disturbing connections by unbolting the top cap and withdrawing the inside working parts.
- 2 3/4" hose connection or unthreaded brass nozzle to allow for easy flaming for disinfection.
- 3 Aluminum weathershield with handy interior shelving for supplies and storage.
- 4 Vent tube with open/close valve.
- 5 Brass interior pipe isolates water flow and maintains consistency of brass interior parts, insuring maximum sample quality.
- 6 Galvanized riser pipe for exterior protection.
- 7 Brass valve body with 3/4" FIP inlet.

Specifications:

Sampling Stations shall be (specify)' bury, with a 3/4" FIP inlet, and a 3/4" hose or unthreaded nozzle. All stations shall be enclosed in a lockable, non-removable, aluminum-cast housing. When opened, the station shall require no key for operation, and the water will flow in an all-brass waterway. All working parts will also be of brass and be removable from above ground with no digging. A copper vent tube will enable each station to be pumped free of standing water to prevent freezing and to minimize bacteria growth. The exterior piping will be galvanized. Sampling Stations shall be as manufactured by Kupferle Foundry, St. Louis, MO.

NOTE: Sampling Stations are non-stock items. Please call your local EJP sales office to order or for more information.



Standard utility bilge pump attaches to vent tube to remove water from waterway, insuring a clean sample in the future, and preventing freezing.