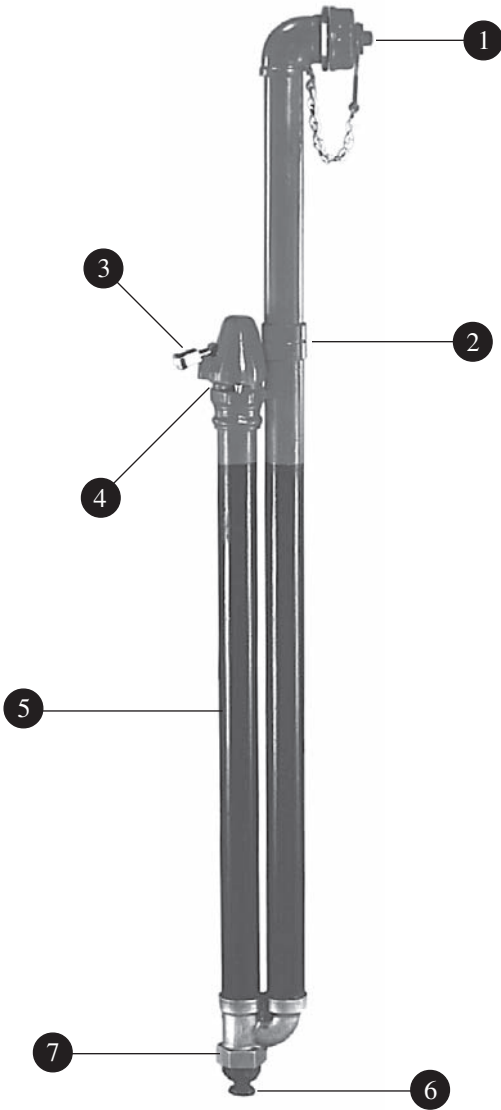


Hydrants D-22

800-EJP-24 HR

2" Blow-Off Hydrant

The MainGuard Model #77 2" Blow-Off Hydrant



Features:

- 1 **2 1/2" NST Nozzle** – Also available in smaller sizes.
- 2 **Traffic Break Away** – The MainGuard is designed to break easily at ground level.
- 3 **Security** – A locking cover prevents water theft and protects MainGuard from the elements.
- 4 **Easy Repair** – Just remove two bolts and take the inner workings out for easy repair and replacement.
- 5 **Brass Working Parts** – All the moving parts are enclosed and made from high quality brass for greater durability and wear.
- 6 **Full Draining Capabilities** – The MainGuard drains to prevent freezing after flushing.
- 7 **2" Female Iron Pipe Inlet**



**The MainGuard Model #78
Blow-Off Hydrant**

The Model #78 has the same features as the Model #77 Blow-Off hydrant except that it is designed for underground installations. The Model #78 can be placed in a meter box pit for easy access.

NOTE: MainGuard Blow-Off hydrants are available on a custom order basis only. Please call your local EJP sales office for more information or assistance in ordering.

PRODUCT DESCRIPTION	BURY	PRODUCT NUMBER
#77 MainGuard Blow-Off Hyd.	6'0"	42646
#77 MainGuard Blow-Off Hyd.	5'6"	42647