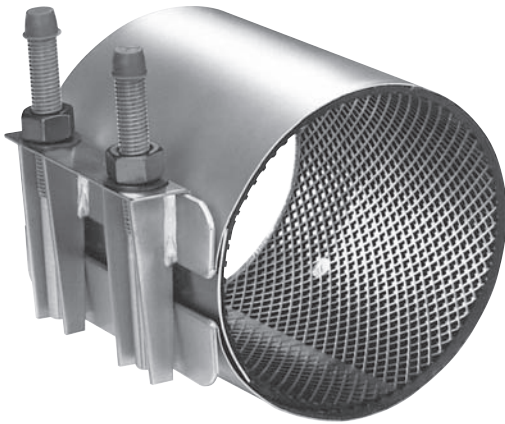


Clamps, Couplings and Saddles J-4

Stainless Steel Repair Clamps

800-EJP-24 HR

**Style FS1/SS1 (single section) Repair Clamp
Normal Range .40"**



NOM. PIPE SIZE	O.D. RANGE	PRODUCT NUMBERS			
		LENGTHS			
		8"	12"	15.5"	24"
2"	2.35-2.63	54271	54310	54311	NA
2 1/4"	2.63-2.87	54541	54554	54556	NA
2 1/2"	2.70-3.00	54530	54553	54557	NA
3"	3.46-3.70	54661	54711	54712	NA
3"	3.73-4.00	54675	54710	54713	NA
4"	4.45-4.73	54910	54960	55010	NS
4"	4.74-5.14	54920	54970	55020	55025
6"	6.56-6.96	55680	55730	55760	55784
6"	6.84-7.24	55700	55745	55780	55785
8"	8.54-8.94	56569	56602	56641	56667
8"	8.99-9.39	56570	56604	56640	56666
10"	10.64-11.04	57324	57365	57395	57519
10"	11.04-11.44	57325	57361	57400	57408
12"	12.62-13.02	57962	58035	58105	58113
12"	13.10-13.50	58005	58070	58111	58112

ORDERING INFO: Repair Clamps will have a letter designator after the product number (F, R, RM, S), for example: 57400 RM.

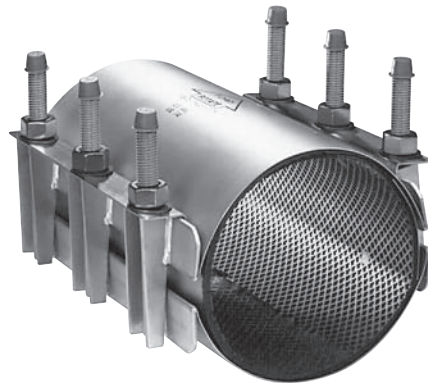
NOTE: Other sizes and lengths not listed are available upon request. Larger diameters are listed on the pages J-5 and J-6. Stainless Steel Repair Clamps are available with tapped outlets. Please contact your E.J. Prescott sales office for more information.

Clamps, Couplings and Saddles J-5

Stainless Steel Repair Clamps

800-EJP-24 HR

**Style FS2/SS2 (double section) Repair Clamp
Widest Range 1.20"**


J

NOM. PIPE SIZE	O.D. RANGE	PRODUCT NUMBERS			
		LENGTHS			
		8"	12"	15.5"	24"
4"	4.44-5.25	55029	55069	55109	55114
4"	4.74-5.57	55030	55070	55110	55115
6"	6.62-7.42	55821	55846	55869	55892
6"	6.84-7.64	55822	55847	55870	55893
8"	8.62-9.42	56709	56734	56759	56762
8"	8.99-9.79	56710	56735	56760	56763
10"	10.70-11.50	—	57473	57480	57529
10"	11.04-11.84	57327	57475	57500	57530
12"	12.70-13.50	—	58185	58211	58274
12"	13.14-13.95	58007	58190	58240	58275
14"	15.07-15.82	—	58712	58755	58785
16"	17.15-17.90	—	58926	58928	58965

ORDERING INFO: Repair Clamps will have a letter designator after the product number (F, R, RM, S), for example: 58240 RM.

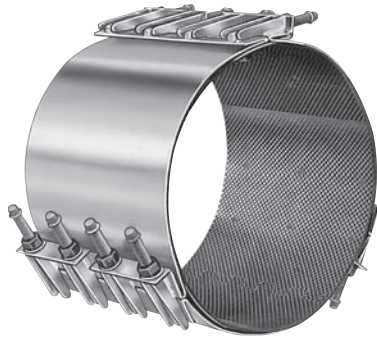
NOTE: Other sizes and lengths not listed are available upon request. Larger diameters are listed on page J-6. Stainless Steel Repair Clamps are available with tapped outlets. Please contact your E.J. Prescott sales office for more information.

Clamps, Couplings and Saddles J-6

Stainless Steel Repair Clamps

800-EJP-24 HR

FS3/SS3 (triple section) Repair Clamp Operating Range 1.20"



NOM. PIPE SIZE	O.D. RANGE	PRODUCT NUMBERS				
		LENGTHS				
		12"	15.5"	20"	24"	30"
10"	11.04-12.24	57474	57501	57522	57523	—
12"	13.14-14.34	58082	58243	58265	58267	—
12"	13.45-14.65	58083	58244	58266	58268	—
16"	17.10-18.30	58924	58931	58951	58968	58972
18"	18.00-19.20	59080	59105	59125	59127	59143
18"	19.50-20.70	59082	59110	59124	59126	59144
20"	21.60-22.80	59267	59268	59270	59282	59302
24"	25.80-27.00	59395	59405	59412	59417	59418

ORDERING INFO: Repair Clamps will have a letter designator after the product number (F, R, RM, S), for example: 59105 F.

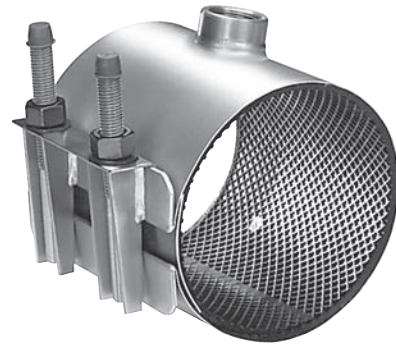
NOTE: Other sizes and lengths may be available. Please contact your local EJP sales office for more information.

Stainless Steel Tapped Repair Clamp

The Stainless Steel Tapped Repair Clamps are ideal for repairing all types of pipe damaged by pulled out or broken off service corporations. Costly and time consuming repairs can be avoided by simply threading a new corporation into the tapped outlet and installing the clamps over the damaged area.

Stainless Steel Tapped Repair Clamps are made to the same design and construction specifications as the repair clamps featured previously. The tapped outlet is 304 Stainless, permanently "fused" by GTAW welding, and fully passivated.

Stainless Steel Tapped Repair Clamps are made in all sizes and available with tapped outlets ranging in size from 3/4" to 3" in both NPT (female iron pipe) and AWWA (CC) Taper thread.



NOM. PIPE SIZE	O.D. RANGE	PRODUCT NUMBERS									
		8" LENGTH					12" LENGTH				
		3/4" IP	3/4" CC	1" IP	1" CC	2" CC	3/4" IP	3/4" CC	1" IP	1" CC	2" CC
2"	2.63	54272	—	—	54268	—	54312	—	—	—	—
3"	3.73-4.00	—	54671	—	—	—	—	—	—	—	—
4"	4.74-5.14	—	55191	—	55192	55204	—	55220	—	55222	—
6"	6.84-7.24	—	55921	—	55941	—	—	55937	56010	55946	56011
8"	9.00-9.40	—	56781	—	56786	—	—	56783	56825	56784	56765

ORDERING INFO: Repair Clamps will have a letter designator after the product number (F, R, RM, S), for example: 54272 F.

NOTE: Other sizes, lengths and outlets are available. Please contact your local EJP sales office for more information.