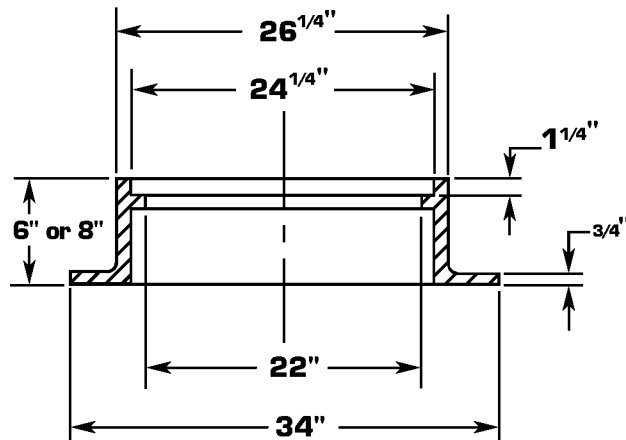
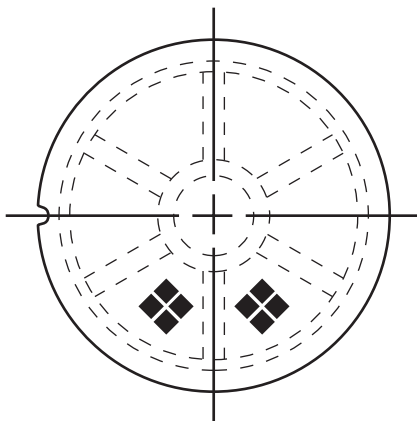
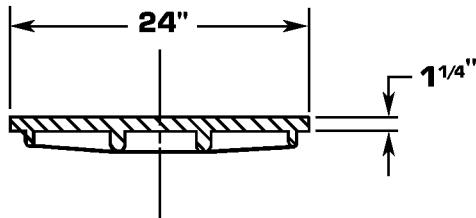


# Manhole Castings L-4

# Maine & Vermont Casting



## 24" Manhole Frame & Cover

### Features:

- 3" lettering
- Covers available plain or marked SEWER, DRAIN, WATER or ELECTRIC
- Nonrocking cover
- Round grate available

### Specifications:

- Fully machined frame and cover
- Bituminous coated
- Diamond pattern on cover
- H-20 load rated
- Gray cast iron meets ASTM A48 Class 30
- Weights:
  - 6" Frame & Cover .....310 lbs.
  - 8" Frame & Cover .....325 lbs.

## 24" Catch Basin Frame & Grate

Same as above where applicable.

- Weights:
  - 6" Frame & Grate .....295 lbs.
  - 8" Frame & Grate .....310 lbs.

DESCRIPTION	WT. (lbs.)	PRODUCT NUMBER
24" x 8" MH Frame C-29	205	62091 600
24" x 6" MH Frame C-29	190	62092 600
24" MH Cover - Sewer C-29	120	62093 600
24" MH Cover - Plain C-29	120	62094 600
24" MH Cover - Drain C-29	120	62095 600
24" MH Cover - Water C-29	120	62097 600
24" MH Grate - Round C-29	105	62096 600