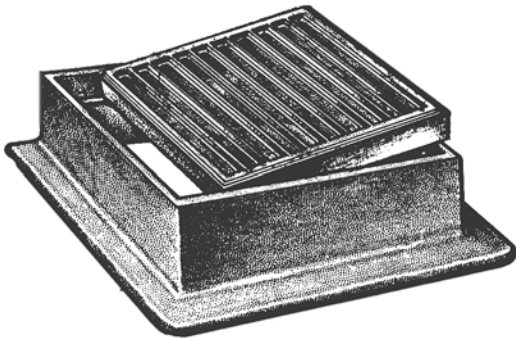


Manhole Castings L-13

MA, ME, NH & VT Standard Catch Basin



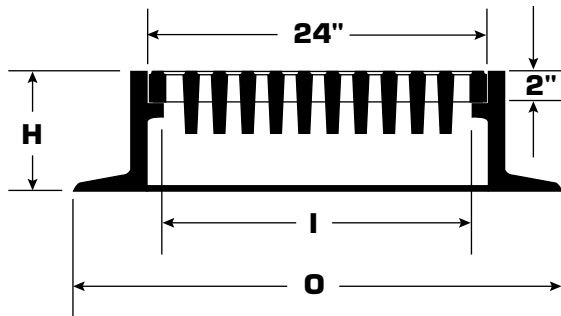
Maine Type A & B, Vermont & New Hampshire Type A and Massachusetts Standards

Bar Type Catch Basin

Specifications:

- Nonrocking grate
- Gray cast iron meets ASTM A48 Class 30
- H-20 load rated
- Frame available in 4", 6" and 8" heights
- Available in 3 or 4 flange style
- Weights:

	3 Flange	4 Flange
Frame-4"	205 lbs.	235 lbs.
Grate	210 lbs.	210 lbs.
Total	415 lbs.	445 lbs.
Frame-6"	235 lbs.	265 lbs.
Grate	210 lbs.	210 lbs.
Total	445 lbs.	475 lbs.
Frame-8"	265 lbs.	295 lbs.
Grate	210 lbs.	210 lbs.
Total	475 lbs.	505 lbs.



CASTING	DIMENSIONS (inches)			
	H	I	O	
			3 FLG.	4 FLG.
LK125	4	22	29" x 32"	32" x 32"
LF 246	6	22	29½" x 33"	33" x 33"
LK120	8	22	30" x 33"	—
LK121	8	22	—	33½" x 33½"

DESCRIPTION	PRODUCT NUMBER
	LEBARON
24" x 4" CB Frame 3 Flg. LK125	65171
24" x 4" CB Frame 4 Flg. LK125	65173
24" x 6" CB Frame 3 Flg. LF246	65175
24" x 6" CB Frame 4 Flg. LF246	65177
24" x 8" CB Frame 3 Flg. LK120	65264
24" x 8" CB Frame 4 Flg. LK121	65267
24" Bar Grate L24SG7	65270