

Massachusetts Casting

26" Manhole Frame & Cover

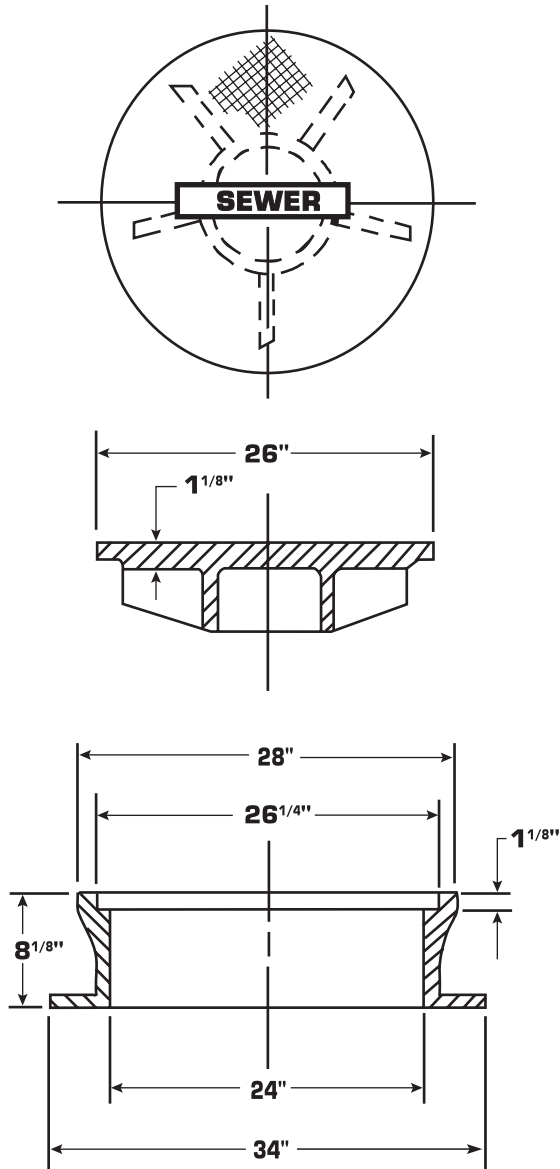
The QWP 40-600 has the same dimensions and is made of the same high-grade material as the "State D.O.T Standard" casting but is an economical alternative.

Features:

- Economical alternative to DOT standard
- 3" lettering
- Nonrocking cover
- Covers available plain or marked SEWER or DRAIN

Specifications:

- Fully machined frame and cover
- Bituminous coated
- State "A" style frame
- Diamond pattern on cover
- Gray cast iron meets ASTM A48 Class 30
- H-20 load rated
- Weight: Frame & Cover - 375 lbs.



DESCRIPTION	PRODUCT NUMBER
26 1/4" x 8" MH Frame #40	62062 600
26" MH Cover-Sewer #40	62068 600
26" MH Cover-Plain #40	62073 600
26" MH Cover-Drain #40	62081 600

NOTE: Heavy model castings available upon request.