

Style 202, 202S & 202N Double Strap/Band Saddles



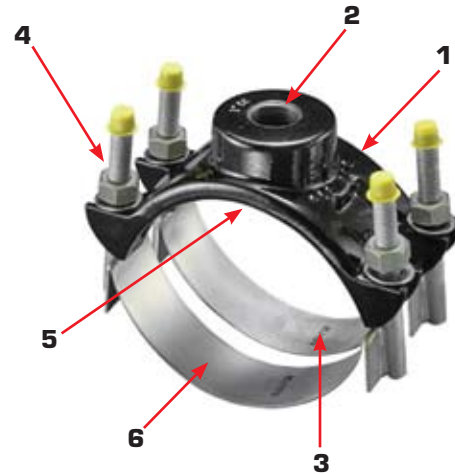
Style 202 (shop coat paint)

Double Strap Service Saddles are recommended for larger taps and for use on larger O.D. pipe. These saddles equalize the pressure on the pipe and can be used on Asbestos Cement, Cast or Ductile Iron and PVC pipe. Stainless steel straps and nylon coated style saddles are recommended for use in highly corrosive areas and the stainless steel bands are particularly recommended for use on PVC pipe.

CAUTION: Saddles for C900 PVC and Steel O.D. sized PVC should be preformed at the factory to the exact pipe size in order to avoid over-stressing the pipe during installation. Please specify the exact O.D. of pipe when ordering saddles for PVC.



Style 202S (shop coat paint)



Specifications:

- 1. Body:** Ductile Iron meeting ASTM A-536, Grade 65-45-12.
- 2. Threads:** FEIP or CC (AWWA)
- 3. Finish:** Shop coat paint or 10 mils of fusion-applied nylon.
- 4. Bolts, Nuts and Washers:** Zinc plated, high tensile strength, low alloy steel or type 304 (18-8) stainless steel.
- 5. Gaskets:** Virgin NBR compounded for water and sewer service.
- 6. Straps:** Zinc plated, high tensile strength, low alloy steel or type 304 (18-8) stainless steel with coated threads to prevent galling. GMAW welds are passivated for resistance to corrosion.



Style 202N (nylon coated)

Clamps, Couplings and Saddles J-22

Double Strap Service Saddles

Double Strap Saddle Product Selection Chart

NOM. PIPE SIZE	O.D. RANGE	STYLE	PRODUCT NUMBERS							
			OUTLET SIZE AND THREAD TYPE							
			¾" CC	¾" IP	1" CC	1" IP	1½" CC	1½" IP	2" CC	2" IP
4"	4.00-4.50	202S	55243 RM	55265 RM	55311 RM	55336 RM	55379 RM	55398 RM	55436 RM	55441 RM
4"	4.00-4.50	202N	55244 RM	55268 RM	55312 RM	55338 RM	55377 RM	55399 RM	55438 RM	55445 RM
4"	4.50-5.40	202	55230 RM	55258 RM	55288 RM	55330 RM	55361 RM	55393 RM	55420 RM	55440 RM
4"	4.50-5.40	202S	55242 RM	55270 RM	55313 RM	55332 RM	55378 RM	55403 RM	55437 RM	55442 RM
4"	4.50-5.40	202N	55241 RM	55286 RM	55314 RM	55335 RM	55376 RM	55400 RM	55439 RM	55446 RM
6"	6.00-6.63	202S	56063 RM	56091 RM	56108 RM	56173 RM	56207 RM	56239 RM	56260 RM	56269 RM
6"	6.00-6.63	202N	56064 RM	56071 RM	56109 RM	56179 RM	56208 RM	56241 RM	56262 RM	56289 RM
6"	6.63-7.60	202	56040 RM	56080 RM	56120 RM	56150 RM	56190 RM	56220 RM	56250 RM	56270 RM
6"	6.63-7.60	202S	56060 RM	56090 RM	56107 RM	56172 RM	56204 RM	56236 RM	56267 1RM	56268 RM
6"	6.63-7.60	202N	56059 RM	56070 RM	56106 RM	56178 RM	56203 RM	56237 RM	56267 RM	56287 RM
8"	8.00-8.63	202S	56862 RM	56886 RM	56919 RM	56943 RM	56983 RM	57018 RM	57042 RM	57058 RM
8"	8.00-8.63	202N	56863 RM	56888 RM	56920 RM	56947 RM	56980 RM	57010 RM	57048 RM	57062 RM
8"	8.63-9.80	202	56830 RM	56872 RM	56900 RM	56940 RM	56970 RM	56988 RM	57030 RM	57050 RM
8"	8.63-9.80	202S	56832 RM	56868 RM	56918 RM	56945 RM	56984 RM	57016 RM	57044 RM	57076 RM
8"	8.63-9.80	202N	56831 RM	56887 RM	56927 RM	56956 RM	56986 RM	57009 RM	57047 RM	57060 RM
10"	10.00-11.10	202S	57602 RM	57632 RM	57688 RM	57712 RM	57736 RM	57788 RM	57818 RM	57829 RM
10"	10.00-11.10	202N	57617 RM	57658 RM	57690 RM	57728 RM	57738 RM	57783 RM	57813 RM	57837 RM
10"	11.10-12.12	202	57600 RM	57630 RM	57671 RM	57698 RM	57740 RM	57770 RM	57800 RM	57820 RM
10"	11.10-12.12	202S	57601 RM	57631 RM	57697 RM	57711 RM	57763 RM	57787 RM	57817 RM	57830 RM
10"	11.10-12.12	202N	57614 RM	57657 RM	57696 RM	57727 RM	57737 RM	57782 RM	57812 RM	57836 RM
12"	12.00-13.20	202S	58353 RM	58406 RM	58437 RM	58451 RM	58492 RM	58522 RM	58552 RM	58569 RM
12"	12.00-13.20	202N	58357 RM	58409 RM	58439 RM	58454 RM	58497 RM	58512 RM	58557 RM	58566 RM
12"	13.20-14.38	202	58330 RM	58390 RM	58420 RM	58450 RM	58480 RM	58510 RM	58540 RM	58560 RM
12"	13.20-14.38	202S	58352 RM	58407 RM	58436 RM	58452 RM	58493 RM	58523 RM	58553 RM	58573 RM
12"	13.20-14.38	202N	58355 RM	58408 RM	58438 RM	58453 RM	58496 RM	58511 RM	58556 RM	58565 RM
14"	15.30-16.80	202	NA	NA	NA	NA	NA	NA	NA	NA
14"	15.30-16.80	202S	58802 RM	58805 RM	58810 RM	58812 RM	58814 RM	58816 RM	58820 RM	58830 RM
14"	15.30-16.80	202N	58803 RM	58806 RM	58811 RM	58813 RM	58815 RM	58817 RM	58821 RM	58831 RM
16"	17.40-18.90	202	NA	NA	NA	NA	NA	NA	NA	NA
16"	17.40-18.90	202S	58981 RM	58982 RM	58984 RM	58986 RM	58987 RM	58989 RM	58990 RM	59000 RM
16"	17.40-18.90	202N	58923 RM	58983 1RM	58985 1RM	58985 RM	58988 1RM	58988 RM	58995 RM	59005 RM
18"	19.50-21.10	202	NA	NA	NA	NA	NA	NA	NA	NA
18"	19.50-21.10	202S	59221 RM	59223 RM	59225 RM	59227 RM	59229 RM	59231 RM	59233 RM	59235 RM
18"	19.50-21.10	202N	59222 RM	59224 RM	59226 RM	59228 RM	59230 RM	59232 RM	59234 RM	59236 RM
20"	21.10-22.70	202	NA	NA	NA	NA	NA	NA	NA	NA
20"	21.10-22.70	202S	59251 RM	59253 RM	59255 RM	59257 RM	59259 RM	59261 RM	59263 RM	59265 RM
20"	21.10-22.70	202N	59252 RM	59254 RM	59256 RM	59258 RM	59260 RM	59262 RM	59264 RM	59266 RM
24"	24.30-25.90	202	NA	NA	NA	NA	NA	NA	NA	NA
24"	24.30-25.90	202S	59421 RM	59423 RM	59425 RM	59427 RM	59429 RM	59432 RM	59434 RM	59436 RM
24"	24.30-25.90	202N	59422 RM	59424 RM	59426 RM	59428 RM	59431 RM	59433 RM	59435 RM	59437 RM

NA—Not Available

NOTE: The styles and sizes listed are those normally stocked by Team EJP. All sizes listed are available but may require special ordering. Please call your local Team EJP sales office for more information.

Clamps, Couplings and Saddles J-23

Double Band Service Saddles

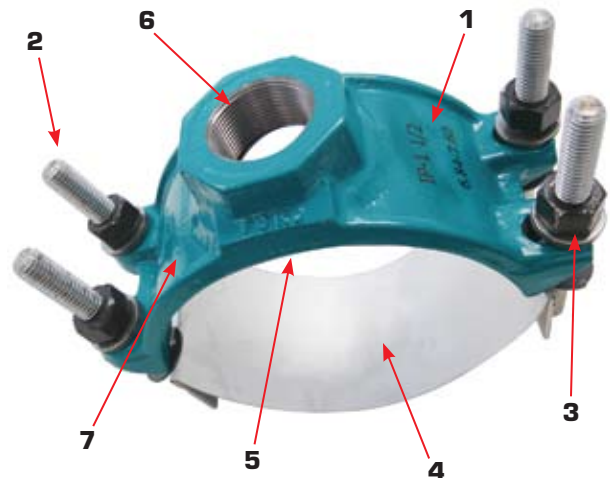
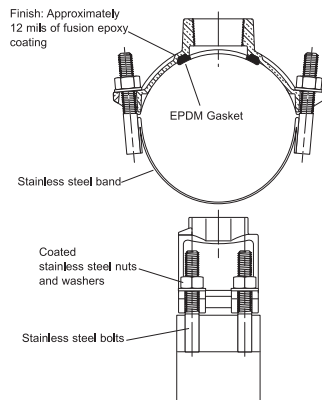
Style FC202 Wide Band Saddles

Wide Band Service Saddles are recommended for larger taps and for use on larger O.D. pipe. These saddles equalize the pressure on the pipe and can be used on Asbestos Cement, Cast or Ductile Iron and C900 PVC pipe.

The FC202 epoxy coated saddle with stainless steel band may be used for all applications but is recommended especially for use in highly corrosive areas and on C900 PVC pipe. The FC202 Saddle should be pre-sized when used on C900 PVC pipe. Pre-sized saddles will conform to the pipe O.D. without placing undue stress on the PVC pipe.

The open and closed lug design allows pre-assembly of the bands, thus ensuring a safe yet simple installation. The heavy duty gasket assures the saddle will maintain pressure in excess of the pipe rating.

The convenient marking system quickly and easily identifies the type of thread in the boss. For AWWA tapered thread, the top edge of the boss has a machined groove around the outside edge, while the boss for iron pipe thread is smooth.



Specifications:

- Body:** High strength ductile iron per ASTM A536.
- Bolts:** $\frac{5}{8}$ " 18-8 stainless steel NC threaded bolts are used on 4" thru 12" saddles. $\frac{1}{2}$ " bolts are furnished on saddles 3" or smaller.
- Nuts & Washers:** $\frac{1}{2}$ " or $\frac{5}{8}$ " fluorocarbon coated heavy hex nuts and washers made from 18-8 type 304 stainless steel. Welds are fully passivated for corrosion resistance.
- Bands:** 18-8 type 304 stainless steel with a $\frac{3}{4}$ " minimum width.
- Gasket:** Buna-N rubber per ASTM D2000.
- Threads:** CC per AWWA C800 or standard female iron pipe.
- Finish:** Approximately 12 mils of fusion applied epoxy coating.

NOM. PIPE SIZE	O.D. RANGE	PRODUCT NUMBERS			
		OUTLET SIZE & THREAD TYPE			
		$\frac{3}{4}$ " CC	1" CC	$\frac{1}{2}$ " CC	2" CC
2"	2.35-2.50	SADDLES WITH THESE SIZE OUTLETS ARE AVAILABLE BUT USUALLY STOCKED IN SINGLE BAND ONLY — SEE FC101 SADDLES ON PAGE J-20		NA	NA
3"	3.80-4.25			54788 F	NA
4"	4.74-5.26			55380 F	55425 F
6"	6.84-7.60			56209 F	56259 F
8"	8.99-9.79			56982 F	57035 F
10"	11.10-12.12			57762 F	57818 F
12"	13.20-14.38			58482 F	58552 F

NOTES:

- Saddles with IP inlet thread are available by special order. Other O.D. ranges are also available. Please contact your local Team EJP sales office.
- NA means not available.

Clamps, Couplings and Saddles J-24

Double Strap Service Saddles

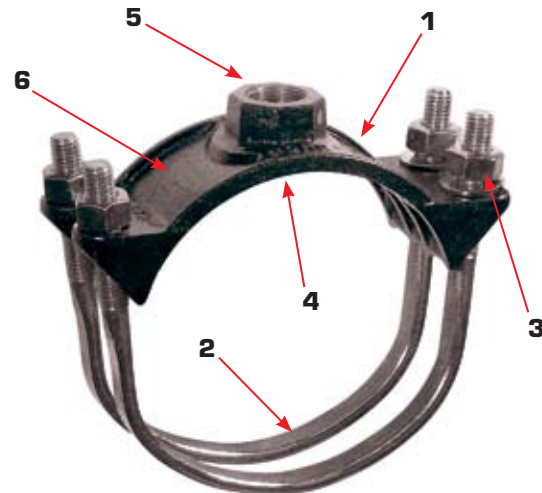
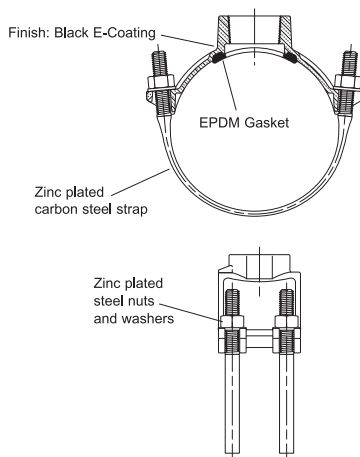
Style F202 Double Strap Saddles

Double Strap Service Saddles are recommended for larger taps and for use on larger O.D. pipe. Double strap saddles equalize the pressure on the pipe and can be used on Asbestos Cement, Cast or Ductile Iron and C900 PVC pipe.

The F202 Saddle should be pre-sized when used on C900 PVC pipe. Pre-sized saddles will conform to the pipe O.D. without placing undue stress on the C900 PVC pipe.

The open and closed lug design allows pre-assembly of the straps, thus ensuring a safe yet simple installation. The heavy duty gasket assures the saddle will maintain pressure in excess of the pipe rating.

The convenient marking system quickly and easily identifies the type of thread in the boss. For AWWA tapered thread, the top edge of the boss has a machined groove around the outside edge, while the boss for iron pipe thread is smooth.



Specifications:

- 1. Body:** High strength ductile iron per ASTM A536.
- 2. Straps:** $\frac{5}{8}$ " AISI C1010 Steel, zinc plated with Dichromate seal. Each strap has $\frac{5}{8}$ " flat bearing surface; $\frac{1}{2}$ " straps are furnished on saddles 3" and smaller.
- 3. Heavy Hex Nuts & Washers:** $\frac{1}{2}$ " or $\frac{3}{8}$ " AISI steel alloy, zinc plated with Di-chromate seal.
- 4. Gasket:** Buna-N rubber per ASTM D2000.
- 5. Threads:** CC per AWWA C800 or standard female iron pipe.
- 6. Finish:** Black E-Coating.

CAUTION: Saddles for C900 PVC and Steel O.D. sized PVC should be preformed at the factory to the exact pipe size in order to avoid over-stressing the pipe during installation. Please specify the exact O.D. of pipe when ordering saddles for PVC.

NOM. PIPE SIZE	O.D. RANGE	PRODUCT NUMBER			
		OUTLET SIZE & THREAD TYPE			
		$\frac{3}{4}$ " CC	1" CC	$1\frac{1}{2}$ " CC	2" CC
2"	2.35-2.50	54350 F	54393 F	NA	NA
3"	3.80-4.25	54753 F	54778 F	54788 1F	NA
4"	4.74-5.26	55240 F	55300 F	55360 F	55420 F
6"	6.84-7.60	56040 F	56120 F	56190 F	56250 F
8"	8.99-9.79	56830 F	56900 F	56970 F	57030 F
10"	11.10-12.12	57600 F	57670 F	57740 F	57800 F
12"	13.20-14.38	58350 F	58420 F	58480 F	58540 F

NOTES:

- Saddles with IP inlet thread are available by special order. Other O.D. ranges are also available. Please contact your local Team EJP sales office.
- NA means not available.