

Ball Valve Curb Stops



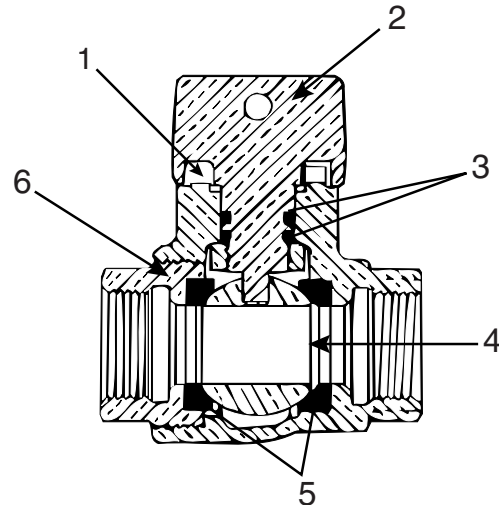
What Is A Curb Stop? How and Why Is It Used?

After the service connection has been made to the main, the water service line is laid to the home owner's property line and a shut off valve is installed. This shut off valve is called a Curb Stop and is used to provide the utility with a valve to stop water flow for both temporary or permanent purposes. The Ball Valve Curb Stop referred to in this section comes with a TFE or fluorocarbon coated, brass ball. The use of these materials helps to eliminate corrosion and electrolysis associated with common plug type curb stops.

IP X IP	SIZE	PRODUCT NUMBER
	¾"	47280
	1"	47930
	1¼"	48410
	1½"	48670
	2"	49080

SHORT SPEC:

Ball Valves shall be designed and manufactured to conform to AWWA Standard C800-89 (ASTM B-62-Index 115-85-5-5-5). Ball Valves shall be individually inspected and tested for leaks by air pressure under water.



Ball Valves are ideal for use in water service lines. Tightness in both directions at all pressures, easy turning, non-binding, and minimum pressure loss—these characteristics are added to good engineering design, quality material and precise manufacturing.

A variety of end connections are available for connecting to copper, iron, and plastic pipe, or directly to a water meter. Ends are integral or secured with adhesive to prevent unintentional disassembly.

Features Of The Ball Valve:

1. Integral Checks allow only 90° rotation of ball. Full 360° rotation available upon request.
2. One piece Cap and Stem
3. Double Buna-N Stem O-Rings assure permanent watertight seal at top
4. TFE or Fluorocarbon Coated Brass Ball provides maximum flow capacity and ease of turning
5. Two Buna-N Seals provide positive shut-off in either direction.
6. Heavy Cast Bronze Body. End Piece is epoxied into body to assure watertight seal.

Ball Valve Curb Stops

G



CPPJ X CPPJ	SIZE	PRODUCT NUMBER
	¾"	47230
	1"	47880
	1¼"	48380
	1½"	48640
	2"	49050

CPPJ X IP	SIZE	PRODUCT NUMBER
	¾"	47250
	1"	47910
	1¼"	48400
	1½"	48660
	2"	49070

Options Available:

- Stop and waste feature is available on ¾" through 2" valves.
- Handles for Ball Valves may be ordered separately.
- 360° rotation available upon request.
- Open-right Ball Valves in ¾" and 1" sizes are available upon request.

NOTE:

- All fittings are available in standard CPPJ and Quik Style compression connections. Please specify.
- Upon request, Ball Valves are available with other outlet connections such as flare copper, male iron pipe and female iron pipe threads.
- Stainless steel insert stiffeners are recommended for use with plastic tubing(CTS); see page G-11.

'BH' Ball Valves



CPPJ X CPPJ	SIZE	JOINT TYPE	PRODUCT NUMBER
	¾"	CPPJ	47231

BH Ball Valves have a full 5/8" round water passage, providing more than adequate capacity for most single services. Designed for use as a curb stop, the BH valve is strong and rugged, replacing both inverted key curb stops and plug-types.