

Manhole Castings L-32

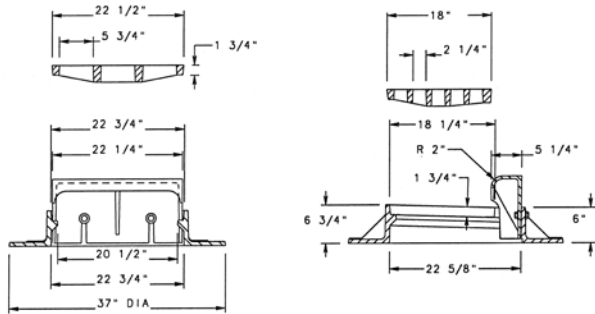
Midwest Castings Ohio

7020 Catch Basin Curb Inlet

Features:

- Heavy Duty
- With Tpe M1 Grate and T1 Back
- Approximately 195 sq. in. of Opening
- Curb Back Height Adjusts from 5½" to 8½"
- "Dump No Waste!" Lettering and Fish Image on Back

TABLE OF ASSEMBLED WEIGHTS			
BACK TYPE	GRATE TYPE		
	M1 FLAT	M2 "S"	M3 "S"
T1	400 lbs.	420 lbs.	440 lbs.
T2	405 lbs.	425 lbs.	445 lbs.
T4	410 lbs.	430 lbs.	450 lbs.
T5	410 lbs.	430 lbs.	450 lbs.



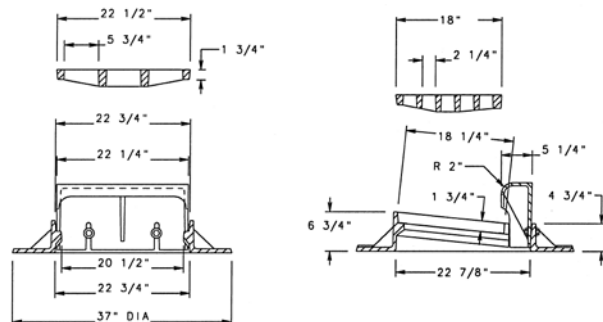
7022 Catch Basin Curb Inlet

Features:

- Heavy Duty
- With Tpe M1 Grate and T1 Back
- Approximately 195 sq. in. of Opening
- Curb Back Height Adjusts from 5½" to 8½"
- Accepts 7020 Grates and Backs

NOTE: See 7020 Table for Assembled Weights

DESCRIPTION	PRODUCT NUMBER
EJ7022 Catch Basin Curb Inlet	66224



Type M2 Sinusoidal Grate
Approx. 140 sq. in. of opening



Type M3 Sinusoidal Grate
Approx. 170 sq. in. of opening,
Grate has break-off section so that curb back can be added when curb is installed



Type T2 Back
6" Curb Radius, Height Adjusts from 5½" to 8"



Type T4 Back
10" Curb Radius, Height Adjusts from 3" to 7"



Type T5 Back
2" Curb Radius, Height Adjusts from 5" to 11"



7022 Catch Basin Curb Inlet